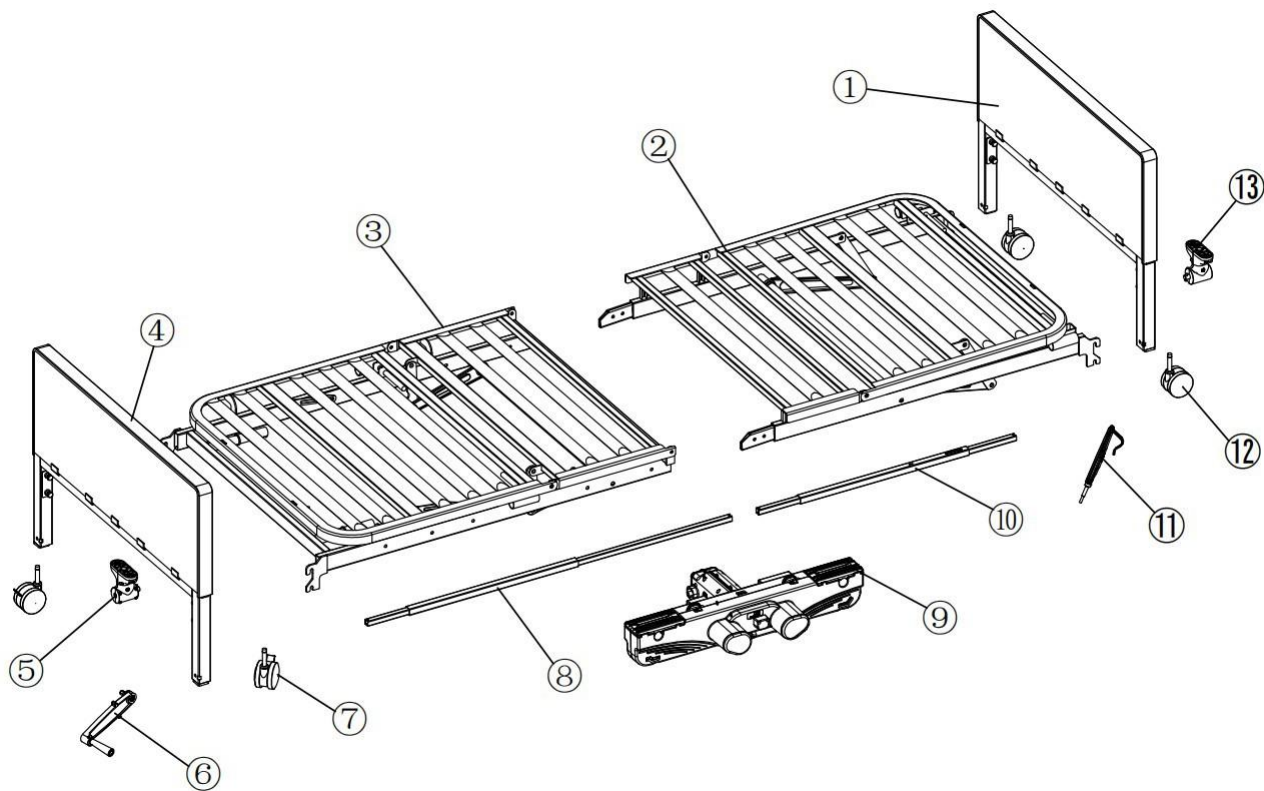


Exploder Drawing



| NO. | Item Number | Part Name | QTY |
|------|-------------|-----------------------------------------------------------------------------------------------|-----|
| 1 | FEHCFT | HeadBoard Complete for the Full Electric Low Bed, 1 ea | 1 |
| 2 | FEHCWM | HeadSpring Complete without Motor for the Full Electric Low Be & the Semi Electric Bed, 1 ea | 1 |
| 3 | FEFCWM | FootSpring Complete without Motor for the Full Electric Low Bed & the Semi Electric Bed, 1 ea | 1 |
| 4 | FEFCFT | FootBoard Complete for the Full Electric Low Bed, 1 ea | 1 |
| 5 | FEGOFF | Gearbox of Foot for the Full Electric Low Bed & the Semi Electric Bed, 1 ea | 1 |
| 6 | | Hand Crank for the Full Electric Low Bed, 1 ea | 1 |
| 7 | FECWLF | Caster with Locking for the Full Electric Low Bed & the Semi Electric Bed, 1 ea | 2 |
| 8+10 | FEDSFT | Drive Shaft for the Full Electric Low Bed, 1 ea | 1 |
| 9 | FEMFTF | Motor W/pendant & Drive shaft packed Full electric,1ea | 1 |
| 11 | FEHCON | Hand Controller for the Full Electric Low Bed, 1 ea | 1 |

| | | | |
|----|--------|-----------------------------------------------------------------------------------|---|
| 12 | FECWLF | Caster without Locking for the Full Electric Low Bed &the Semi Electric Bed, 1 ea | 2 |
| 13 | FEGOHF | Gearbox of Head for the Full Electric Low Bed & the Semi Electric Bed, 1 ea | 1 |

