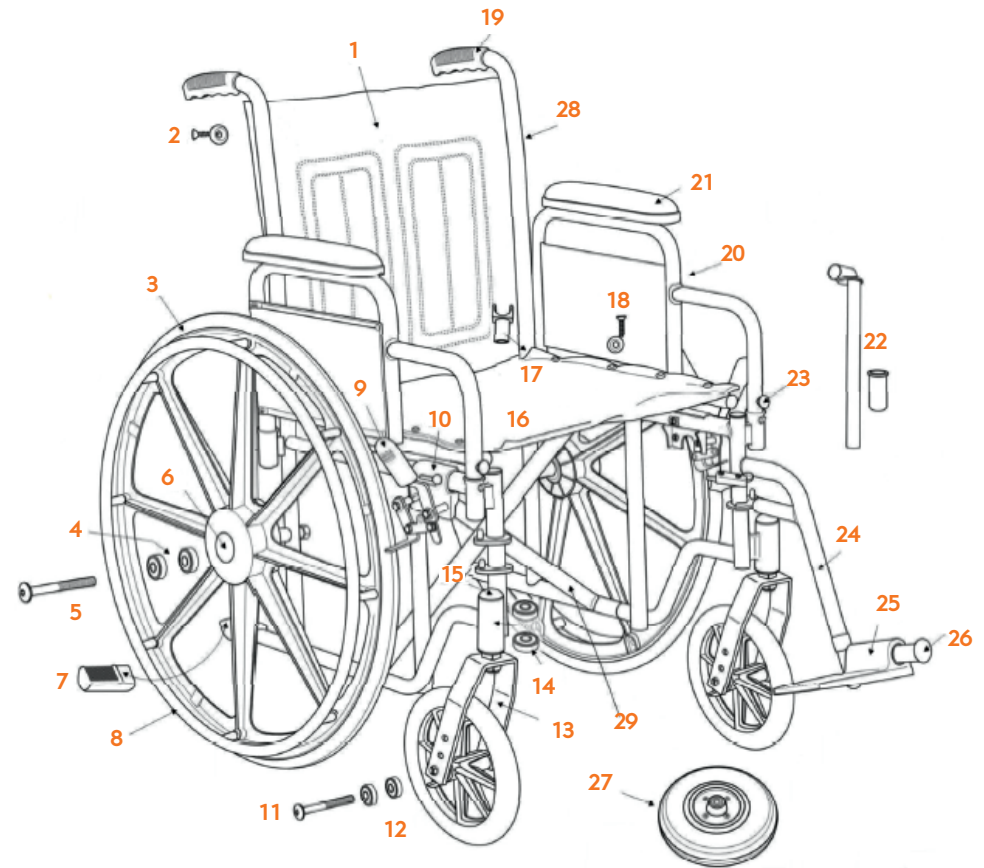


- | | |
|-----------------------------------|------------------------------------|
| 1. Back Upholstery (20", 22" 24") | 16. Seat Upholstery (20", 22" 24") |
| 2. Back Upholstery Screw | 17. Seat Rail Guide |
| 3. Rear Wheel | 18. Seat Upholstery Screw |
| 4. Rear Axle Bearing | 19. Handgrip |
| 5. Rear Axle Bolt | 20. Arm Assembly (Desk, Full) |
| 6. Hub Cap | 21. Arm Pad (Desk, Full) |
| 7. Tipping Sleeve | 22. Slide Tube |
| 8. Hand Rim | 23. Arm Release Button |
| 9. Rubber Brake Tip | 24. Footrest |
| 10. Break Assembly (Right, Left) | 25. Footplate |
| 11. Front Axle Bolt | 26. Rubber Bumper |
| 12. Front Axle Bearing | 27. Caster |
| 13. Front Caster Fork | 28. Sideframe |
| 14. Fork Stem Bearings | 29. Cross From (20", 22" 24") |
| 15. Fork Stem Cap | |


DESCRIPTION
DIAGRAM #
RHYTHM ITEM #

Seat and Back Upholstery Set	1, 16	(22") P170-1-002-22 (24") P170-1-002-24
Rear Wheel	3	RWK7HD
Brake Assembly, Left and Right	9, 10	(Left) PWCBRK4018-L (Right) PWCBRK4018-R
Front Fork	13	PFK224
Arm Pad Desk Length	21	PWCAP-D
Front Caster without Axle	27	P170-1-008