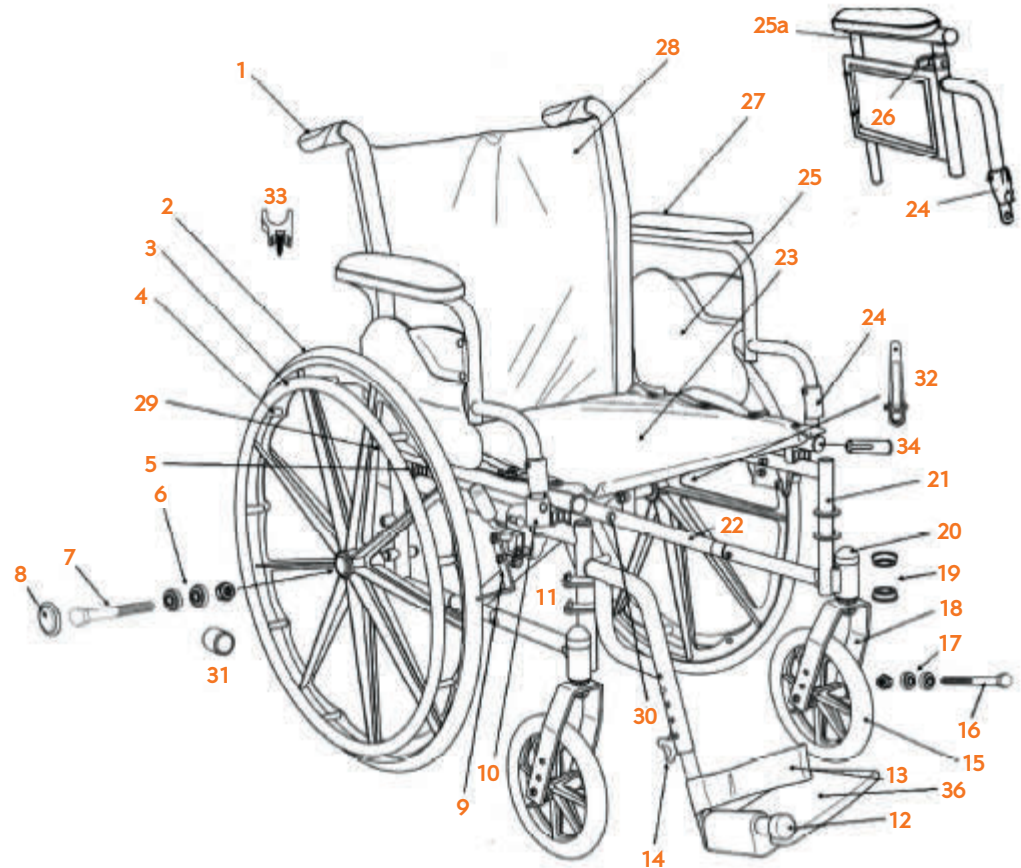


For serial numbers that include the letters: AY

Example: 24KAY000001

- |   |  |
|---|--|
| <ol style="list-style-type: none"> <li>1. Handgrip</li> <li>2. Rear Wheel</li> <li>3. Hand Rim</li> <li>4. Hand Rim Hardware (9 each)</li> <li>5. Rear Seat Saddle</li> <li>6. Rear Wheel Bearing</li> <li>7. Rear Axle</li> <li>8. Hub Cap</li> <li>9. Push to Lock Wheel Lock (Left)<br/>Push to Lock Wheel Lock (Right)<br/>Pull to Lock Wheel Lock (Left)<br/>Pull to Lock Wheel Lock (Right)<br/>Wheel Lock Tip</li> <li>10. Front Seat Saddle</li> <li>11. Axle Cap</li> <li>12. Bumper</li> <li>13. Heel Loop &amp; Peg Heel loop Peg</li> <li>14. Hanger Pins (4 each)</li> <li>15. Caster 8 Spoke</li> <li>16. Caster Axle</li> <li>17. Caster Bearing</li> <li>18. Fork</li> <li>19. Fork Stem Bearing</li> <li>20. Dust Cap</li> <li>21. Side Frame (Left)<br/>Side Frame (Right)</li> </ol> | <ol style="list-style-type: none"> <li>22. Cross Frame 16" Adj. Depth (16", 18", 20")</li> <li>23. Seat WM, 16" Adj. Depth (16", 18", 20")</li> <li>24. Release Lever</li> <li>25. Arm Assy. Full (Left, Right)<br/>Arm Assy. Desk (Left, Right)<br/>Adj. Jet Arm Assy. Full (Left, Right)<br/>Adj. UI Arm Assy. Desk (Left, Right)</li> <li>25a. Upper Adj. Arm Full (Left)<br/>Upper Adj. Ann Full (Right Upper)<br/>Adj. Arm Desk (Left Upper)<br/>Adj. Arm Desk (Right)</li> <li>26. Adj. Height Release (Left)<br/>Adj. Height Release (Right)</li> <li>27. Arm Pad Desk<br/>Arm Pad Full<br/>Back Upholstery (16", 18", 20")</li> <li>28. Back Upholstery Adj. Depth (16", 18", 20")</li> <li>29. Flip Back Arm Bracket</li> <li>30. Upholstery Strap</li> <li>31. Tipping Sleeve</li> <li>32. Cross Frame Assist (16", 18", 20")</li> <li>33. Rear Arm Bracket</li> <li>34. Seat Extension Screw (Pair)<br/>Seat Extension &amp; Screw (Pair)</li> <li>35. Cross Frame Bolt</li> <li>36. Footplate &amp; Heel Loop (Left, Right)</li> </ol> |
|---|--|



## DESCRIPTION

## DIAGRAM #

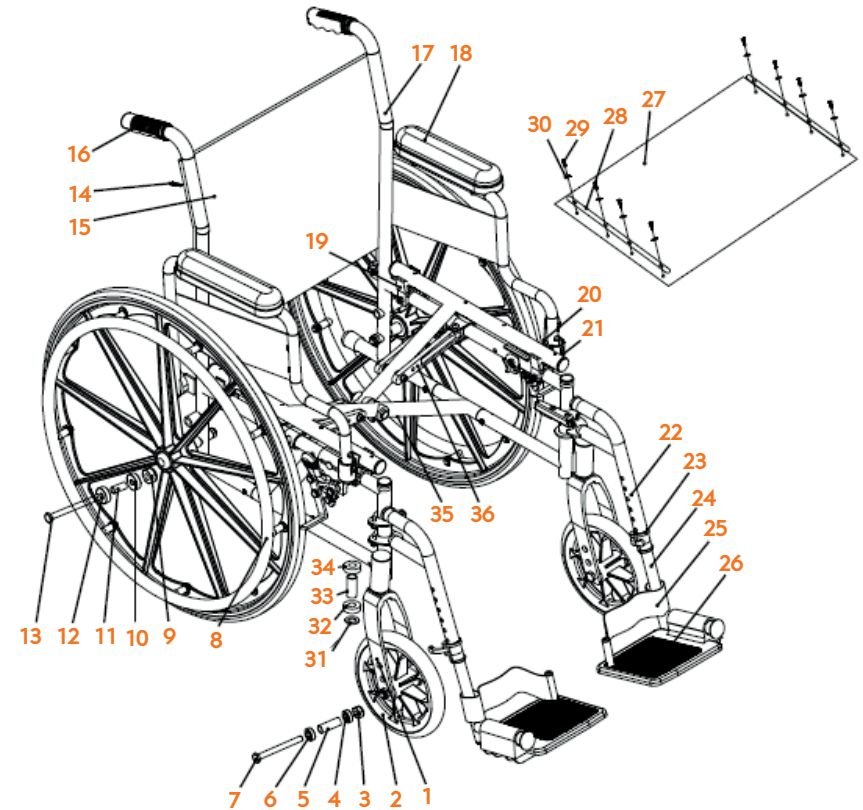
## RHYTHM ITEM #

Rear Wheel	2, 3, 4, 6	P170-1-006-1
Wheel Locks	9	(Left) PWCBRK4018-L (Right) PWCBRK4018-R
Front Caster	15, 17	P170-1-010
Front Fork	18	PPFKK1
Seat and Back Upholstery Set	23, 28	(16") P170-003-16-1 (18") P170-003-18-1 (20") P170-003-20-1
Arm Pad	27	PWCAP-D

For serial numbers that include the letters: BS

Example: 24KBS000001

- |   |   |
|---|---|
| <ol style="list-style-type: none"> <li>1. Front Wheel Fork</li> <li>2. Front Wheel</li> <li>3. Front Wheel Lock Nut<br/>7/16-20UNF (White Zinc)</li> <li>4. Front Wheel Bearing</li> <li>5. Inner Bushing of Front Wheel</li> <li>6. Front Wheel Bearing</li> <li>7. Front Wheel Core Shaft<br/>7/16-20UNF (White Zinc)</li> <li>8. Rear Wheel Assembly</li> <li>9. Rear Wheel Lock Nut<br/>7/16-20UNF (White Zinc)</li> <li>10. Rear Wheel Bearing</li> <li>11. Inner Bushing of Rear Wheel</li> <li>12. Rear Wheel Bearing</li> <li>13. Rear Wheel Core Shaft<br/>7/16-20UNF*117 (White Zinc)</li> <li>14. Back Cushion</li> <li>15. Cross Half Countersunk Head Self-tapping Screw ST4. 8*19 (Black Zinc)</li> <li>16. Hand Grip</li> <li>17. Frame</li> </ol> | <ol style="list-style-type: none"> <li>18. Short Hand Grip Mat Assembly</li> <li>19. Seat Tube Rear Support</li> <li>20. Brake Assembly</li> <li>21. Seat Tube Front Support</li> <li>22. Leg Reliance Pipe</li> <li>23. Support Adjustment Sleeve</li> <li>24. Support Adjustment Rod</li> <li>25. Heel Strap</li> <li>26. Pedal</li> <li>27. Cushion</li> <li>28. Cushion Core Iron</li> <li>29. Compression Ring</li> <li>30. Cross Half Countersunk Head Self-tapping Screw ST4. 8*19 (Black Zinc)</li> <li>31. Gasket</li> <li>32. Vertical Shaft Bearing</li> <li>33. Inner Bushing of Vertical Shaft</li> <li>34. Vertical Shaft Bearing</li> <li>35. Cross Rod</li> <li>36. Pull Rod</li> </ol> |
|---|---|



## DESCRIPTION

## DIAGRAM #

## RHYTHM ITEM #

Front Fork	1	PFKK1
Front Caster	2	P170-1-010
Rear Wheel	8	P170-1-006-1
Arm Pad	18	PWCAP-D
Brake Assembly	20	(Left) PWCBRK4018-L (Right) PWCBRK4018-R
Seat and Back Upholstery Set	14, 27	(16") P170-1-002-16 (18") P170-1-002-18 (20") P170-1-002-20